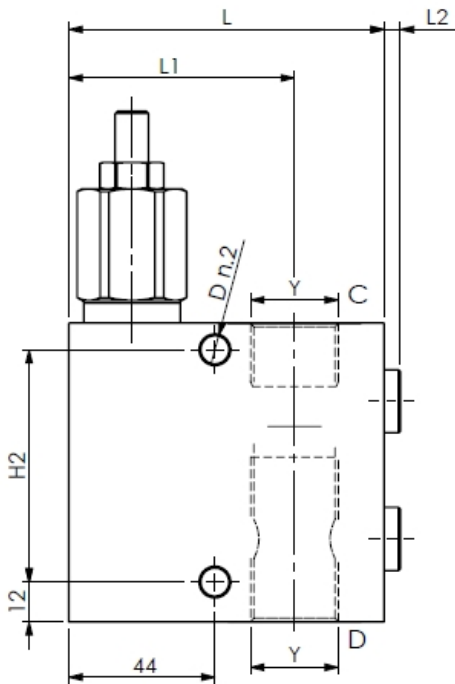


HBS B040452.01.00



The B040452.01.00 is a Sequence valve produced by HBS Valves. HBS Valves is a manufacturer of high quality hydraulic products and components, which AHydraulics distributes around the globe. Check the free datasheets or get in touch with us to find out whether B040452.01.00 is the right Sequence valve for you!

Buy a Sequence valve at AHydraulics

AHydraulics supplies the B040452.01.00 to every country in the world. We work with the best global manufacturers of hydraulic parts, and are glad to help you in finding the solution for your hydraulic challenge. Curious to see what we can do for you? Simply get in touch with us through the contact form on this page.

PRODUCT ATTRIBUTES

Weight	0,83Kg
Material	Aluminium

DIMENSIONS

D	6,5mm
E2	HEX13
H	80mm
H1	49,5mm
H2	60mm
L	90mm
L1	66mm
L2	3mm
Y	EMPTY

PRESSURE ATTRIBUTES

Pressure Range	50;220Bar
Standard Setting	160Bar
Pressure Increase	110Bar/Turn
Max Pressure	300Bar

FLOW ATTRIBUTES

Flow Range	10;60l/min
------------	------------

Questions? Call 031 33 455 6245 to contact us.



Scan the QR code to view this product in the website.

