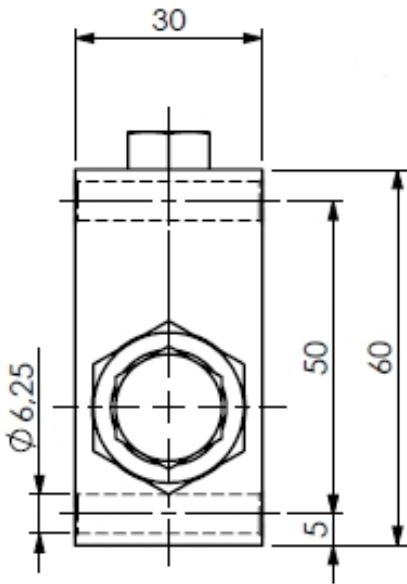


HBS A060426.00.00



The A060426.00.00 is a Overcenter valve produced by HBS Valves. HBS Valves is a manufacturer of high quality hydraulic products and components, which AHydraulics distributes around the globe. Check the free datasheets or get in touch with us to find out whether A060426.00.00 is the right Overcenter valve for you!

Buy a Overcenter valve at AHydraulics

AHydraulics supplies the A060426.00.00 to every country in the world. We work with the best global manufacturers of hydraulic parts, and are glad to help you in finding the solution for your hydraulic challenge. Curious to see what we can do for you? Simply get in touch with us through the contact form on this page.

PRODUCT ATTRIBUTES

Weight	1,3Kg
Pilot Ratio	4.84:1
Material	Zinc Plated Steel

PRESSURE ATTRIBUTES

Pressure Range	100;350Bar
Standard Setting	250Bar
Pressure Increase	165Bar/Turn
Max Pressure	500Bar

FLOW ATTRIBUTES

Flow Range	10;60l/min
------------	------------

Questions? Call 031 33 455 6245 to contact us.



Scan the QR code to view this product in the website.